



INFRARED OUTDOOR HEATER

Safety Instructions and Operation Manual

EXHR14003B-15

(HT-F62913A-500)



Thank you for purchasing our products. Please read carefully this instruction before using and operate strictly accordance with the instructions, and especially pay attention to “Important Safety Instructions”. Please be careful collection after reading so as to for future reference.

Introduction

Your infrared heater is heating in the way of radiation (no need for medium) so your infrared Heater is effective. At the time, the heater has very good physiotherapy effect. Because it doesn't need to heat the ambient air (medium), it is good to be used in the open-air as well. Your Waterproof infrared patio heater offers innovative and optimal benefit with least need of space, Perfect for heating both indoor and outdoor areas, which provides a complete new way of modern. Heating technique - on the balcony, terrace, in the winter garden or generally speaking for Gastronomy and also perfectly fits as integration in big umbrella & tent systems.

Important Safety Instructions

When using electrical appliances, basic safety precaution should always be followed to reduce the risk of fire, electric shock, or injury to persons, etc. Read through the operation and assembly instructions conscientiously before operating the appliance. Be sure to keep the manual in a safe place for future reference. If you pass the appliance on, pass on the instructions too.

- Check if the voltage indicated on the nameplate of the appliance corresponds to the local mains voltage before you connect the appliance.
- The power supply to the appliance should correspond to the relevant regulations of the power supply companies and the regional construction regulations. Extension cords and multi-sockets may be used only if care is exercised in their use. The marked electrical rating of the extension cord or multi-socket should have adequate current carrying capacity and correspond to the relevant regulations of the power supply companies and the regional construction regulations. Check if the voltage indicated on the appliance corresponds to the marked electrical rating of the extension cord or multi-socket before you connect the appliance.
- The appliance is not located immediately below a wall socket-outlet.
- Never install this appliance close to anything combustible material, such as furniture, curtains, etc.
- In order to avoid overheating and fire hazard, do not cover or obstruct the appliance. Do not put any of the following materials on the appliance, such as clothes, blanket, pillow, paper, etc.

- The casing and the front cover of the appliance become extremely hot during operation. Pay attention that, no combustible material due to Wind or other environmental influences covers or obstructs the appliance, such as curtains, marquees, flags, plastic foil ect. Do not touch the appliance. Caution! Risk of scald injury.
- Do not let the cord hang over edge of table or counter, or touch hot surfaces.
- If the supply cord is damaged, it must be replaced by the manufacturer or its service agent or a similarly qualified person in order to avoid a hazard.
- In case of improper use, there is a risk of electrical shock and/or fire hazard. Operation of the appliance must be discontinued and remove the mains plug immediately. Do not try to repair the appliance by your-self.
- Please contact with the service agent or a suitably qualified electrician for maintenance.
- Remove the plug from the power outlet and wait until the appliance is sufficiently cooled off before cleaning.
- This appliance can be used by children aged from 8 years and above and persons with reduced physical, sensory or mental capabilities or lack of experience and knowledge if they have been given supervision or instruction concerning use of the appliance in a safe way and understand the hazards involved. Children shall not play with the appliance. Cleaning and user maintenance shall not be made by children without supervision.
- Keep out of reach children. In order to keep children from the dangers of electrical appliances, never leave them unsupervised with the machine. Consequently, when selecting the location for your machine, do so in such a way that children do not have access to the machine. Children being supervised not to play with the appliance.
- The appliance must only be mounted by an authorized specialist, paying attention to the relevant regulations of the power supply companies and the regional construction regulations.
- **WARNING:** The heater must not to be used if the glass panels are damaged.
- The fireguard of this heater is intended to prevent direct access to heating elements and must be in place when the heater is in use.
- The fireguard does not give full protection for young children and for infirm persons. please unplug the appliance when not use.
- The appliance shall not be used in building sites.
- **WARNING:** This heater is not equipped with a device to control the room temperature. do not use this heater in small rooms when they are occupied by persons not capable of leaving the room on their own, unless constant supervision is provided.
- The heater is to be installed so that switches and other controls cannot be touched by a person in the bath or shower.
- Children of less than 3 years should be kept away unless continuously supervised.
- Children aged from 3 years and less than 8 years shall only switch on/off the appliance provided that it has been placed or installed in its intended normal operating position and they have been given supervision or instruction concerning use of the appliance in a safe

way and understand the hazards involved. Children aged from 3 years and less than 8 years shall not plug in, regulate and clean the appliance or perform usermaintenance.

- ♦ CAUTION- Some parts of this product can become very hot and cause burns. Particular attention has to be given where children and vulnerable people are present.

Save Thes Instructions

Specifications

Specification	EXHR14003B-15
Voltage(V)	~220-240 V
Power consumption(W)	1500 W
Dimensions / W*H*D(cm))	51*50*19 cm
Weight (kg)	6.5 kg
IP protection	IP23

Operation Instruction

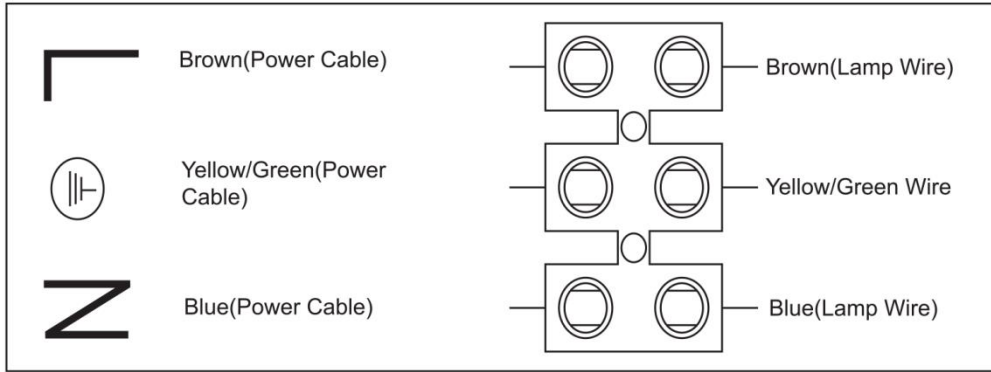
INSTALLATION DIRECION:

BEFORE ATTEMPTING TO INSTALL UNITS, ENSURE POWER IS OFF, AND PLEASE PAY ATTENTION TO FOLLOWING SETPS:

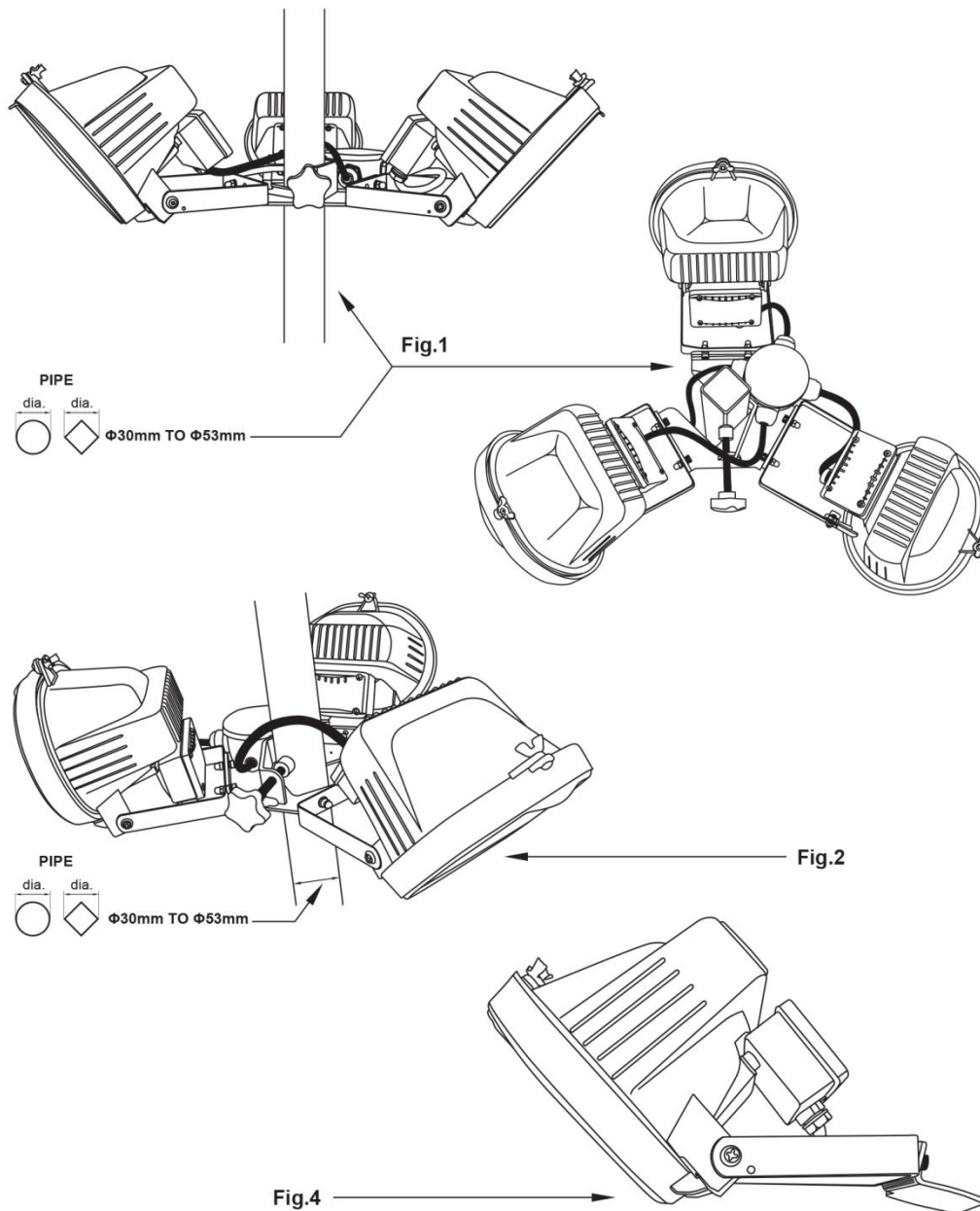
1. MOUNTING PASITION: THE ELECTRONICAL HEATER CAN BE USED ON ALL SORTS OF PIPES, AS WELL AS ON SOME UMBRELLA, TENT EQUIPMENT ETC. (Fig.1)
2. FIXED THE LAMP ON THE PIPE, DIAMETRE OF $\Phi 30$ TO $\Phi 53$, AND TIGHTENED THE M8 SCREW. (Fig.2)
3. CONNECT THE MAINS WIRES.(Fig.3)
4. PLS READ CAREFULLY
 - BOEORE INSTALLAION AND PRESERVEIT WELL. MUST BE INSTALLED AND ASSEMBLED BY A QUALIFIED ELECTRICIAN.
 - BEFORE ATTEMPTING TO INSTALL UNITS, ENSURE POWER IS OFF, AND PLEASE PAY ATTENTION TO FOLLOWING SETPS.
 - LAMP TUBE FITTING (Fig.4)

UNSCREW THE BOLT AND OPEN THE GLASS HOLDER AFTER 30 MINUTES COOLING. THEN FITTING TUBE INTO LAMP SOCKET. THEN KEEP THE WATERPROOF RUBBER PAD IN ORIGINAL PASITION AND CLOSE THE GLASS HOLDER WITH THE BOLT.

- PUT YOUR MAINS CABLE (H05RN-F3G1.0mm²,NOT INCLUDED) INTO THE JUNCTION BOKSZ THROUGH THE PLASTIC STUD AND RUBBER GASKET ENSURE THAT PLASTIC STUD IS SUFFUCUENTLY TIGHT.



3. Figure



Cleaning and Maintenance

- This appliance is consist of a robust and maintenance-free aluminum casing with a protection Cover. No user serviceable parts inside.
- Before cleaning, remove the plug from the power outlet and wait until the appliance is sufficiently cooled off.
- Wipe the appliance only with clean and lint-free cloth or a soft brush.
- The alcohol can be used to clean the appliance. When cleaning the reflector, please contact with the service agent or a suitable qualified electrician if the reflector needs to be removed.

- To protect against electrical shock and danger of life, do not immerse cord, plug, or any part of the appliance in water or other liquid.
- For heating element replacement, please contact the manufacturer or its service agent or a similarly qualified person.

Storage

- Do not route cord when heater storage, or heater is not in use.

Disposal



Correkt Disposal of this product

This marking indicates that this product should not be disposed with other household wastes throughout the EU. To prevent possible harm to the environment or human health from uncontrolled waste disposal, recycle it responsibly to promote the sustainable reuse of material resources. To return your used device, please use the return and collection systems or contact the retailer where the product was purchased. They can take this product for environmental safe recycling.

Customer Service

- Repairs must be carries out by authorized specialists, thus enduring electrical safety. Please contact with the service agent or a suitably qualified electrician.
- Improper repairs could lead to danger to the user.
- This warranty does not cover damage of failure which results from alteration, accident, misuse, abuse, neglect, commercial use or improper maintenance.
- In line with our policy of continuous product development we reserve the right to change the product and documentation specifications without notice.